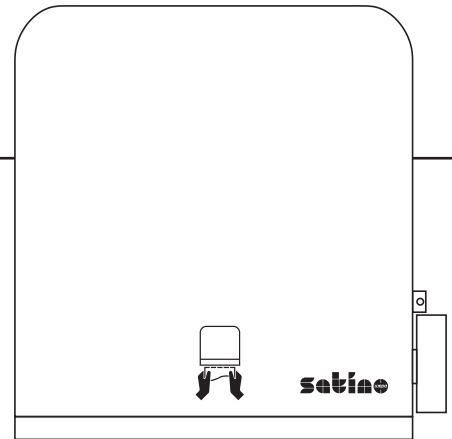


Easy. Clean. Professional.

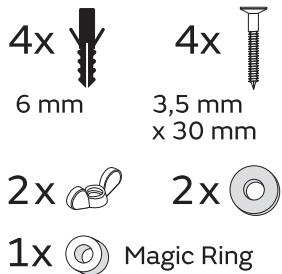
SYS AutoCut Dispenser

Item No.: **333190**

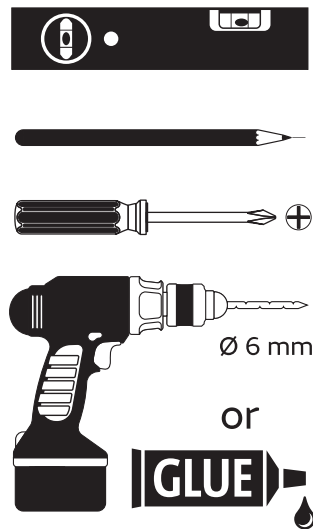
SYS AutoCut-Spender
 SYS AutoCut Handdoekroldispenser
 SYS Distributeur à découpe automatique
 SYS Dozownik AutoCut



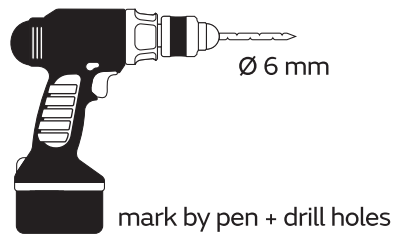
Supplied



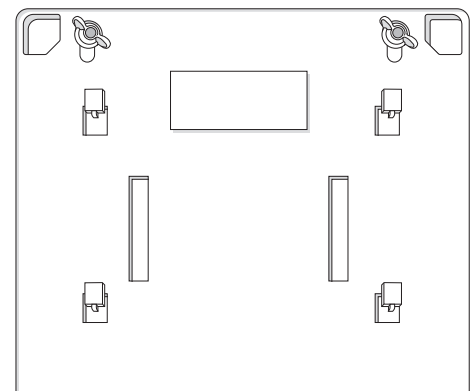
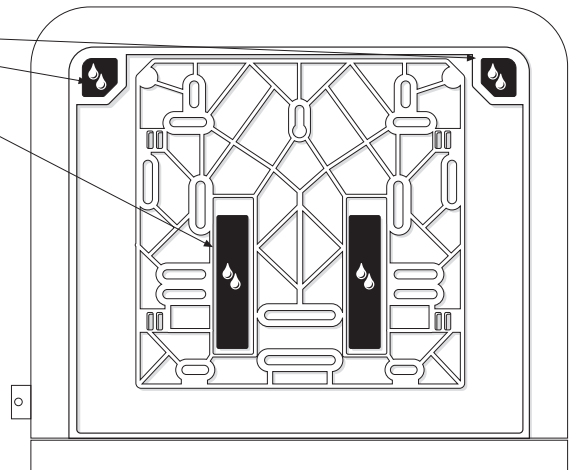
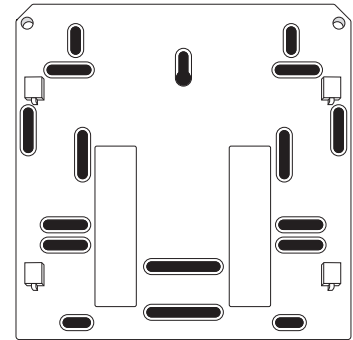
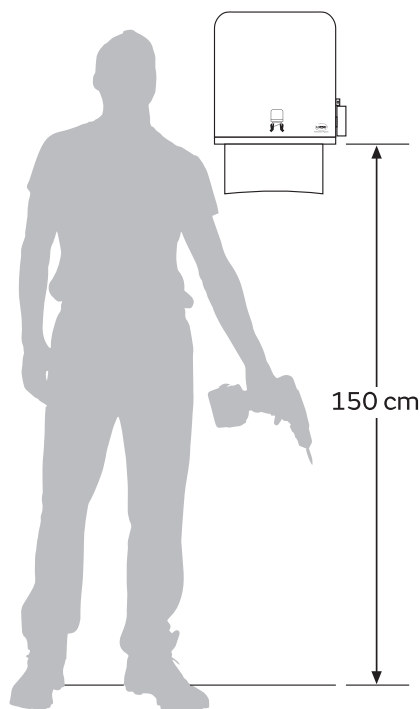
Needed tools



Assembly plate

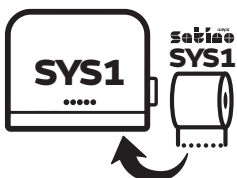


Preferred distance



hang and fix (inside)

Suitable for

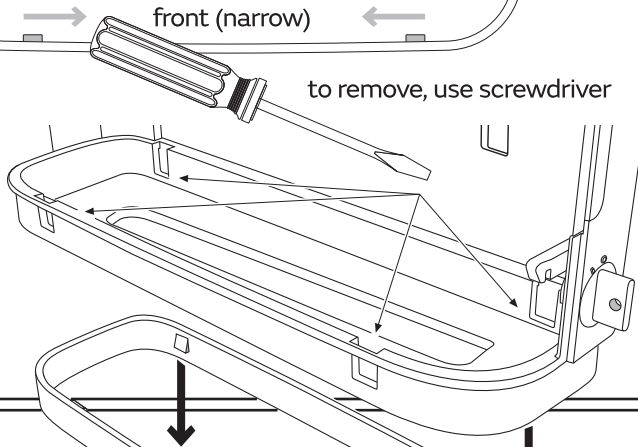
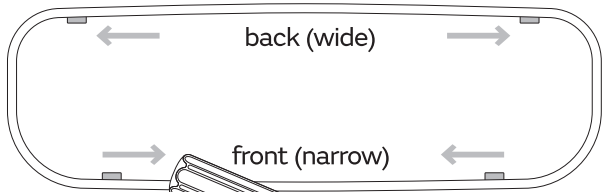
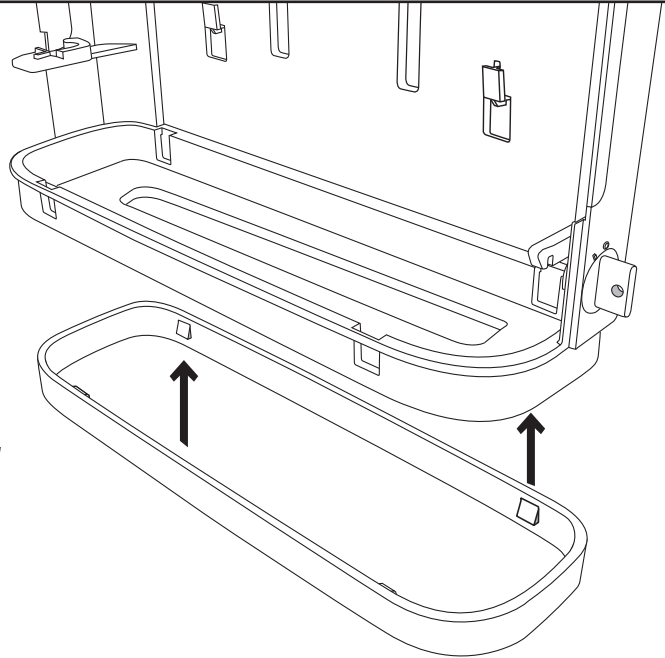


Easy. Clean. Professional.

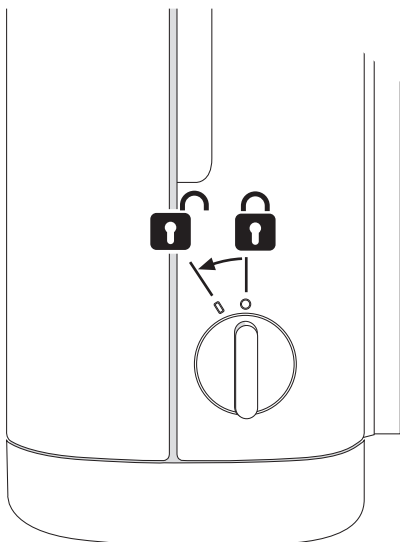
SYS AutoCut Dispenser

Item No.: 333190

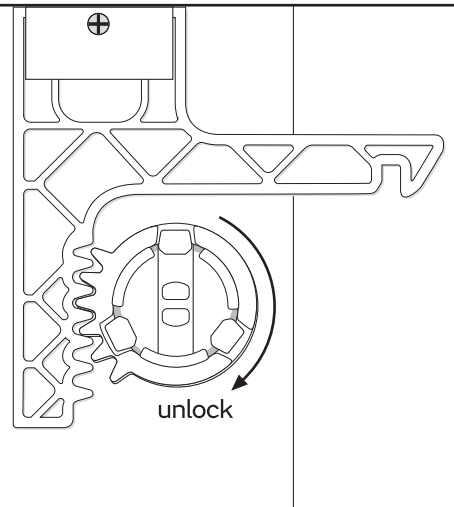
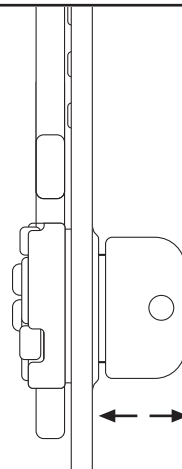
Design-ring



Key-Lock

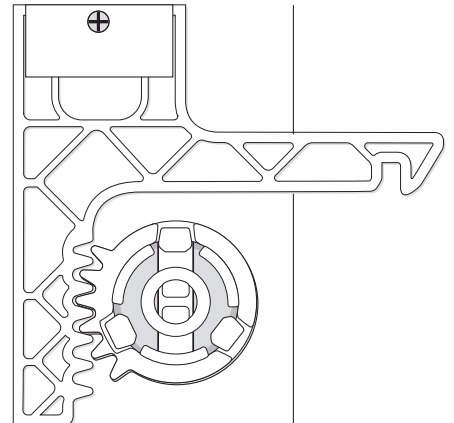
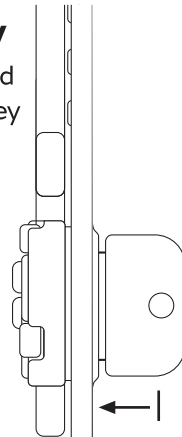
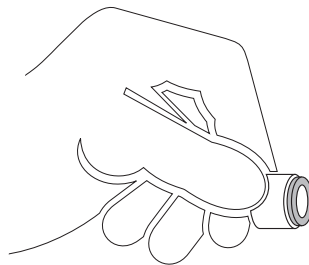


Standard Lock



Permanent Key

adjust Magic Ring with red side in front to lock the key



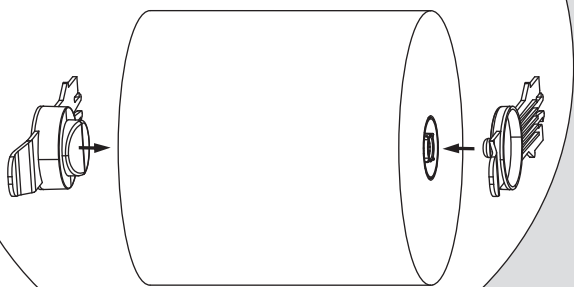
Easy. Clean. Professional.

SYS AutoCut Dispenser

Item No.: 333190

Operation

- 1** Put the WEPA Professional paper towels tissue roll between the lateral roll holders

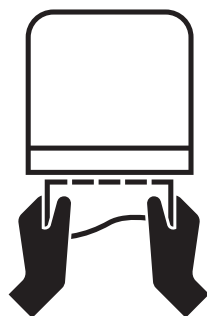


- 2** Match yellow colours: Yellow holder on yellow plug!

- 3** Then lead the paper from the front on the cutting roller.

- 4** Turn the lateral knob clockwise until the paper is coming out from the bottom of the dispenser.

! No paper towel to see? – Turn lateral knob clockwise!



Just pull with both hands down!