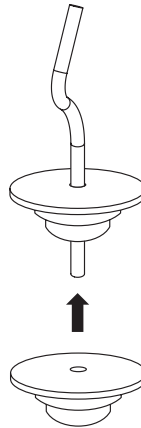
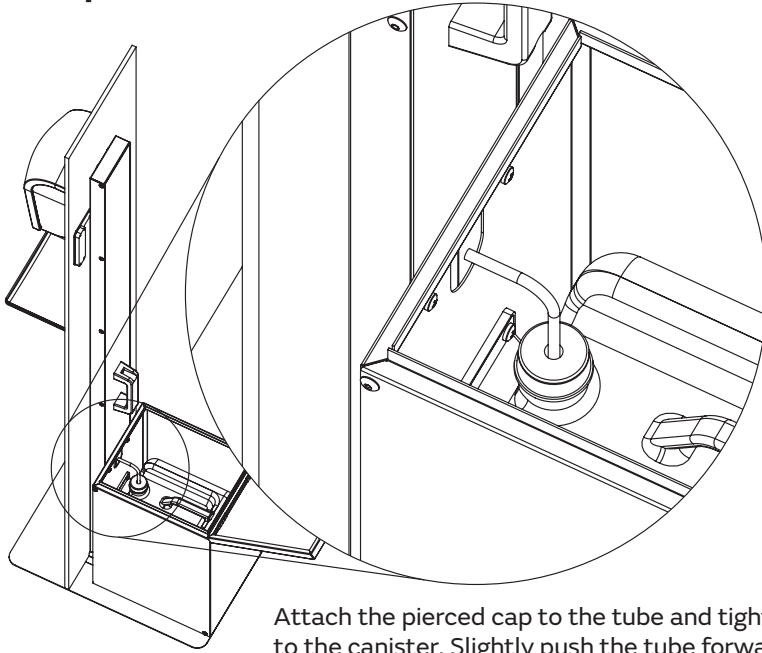


Item No.: 333000

# Disinfection Stand -Extra Large-



## to replace the canister



Attach the pierced cap to the tube and tight pierced cap to the canister. Slightly push the tube forward to canister.

## compatible refill bags



### disinfection liquid

Item No. 332990  
Disinfection 5,000 ml



### disinfection liquid -sensitive-

Item No. 332890  
Disinfection LQ 5,000 ml



### disinfection gel

Item No. 332980  
Disinfection 5,000 ml

Suitable for



## ATTENTION

**ONLY USE SATINO OEM CONSUMABLES! - DO NOT REFILL THE CANISTER DURING USAGE!  
PLEASE ACTIVATE THE DISPENSER 35 TIMES AT ANY RESTART.**

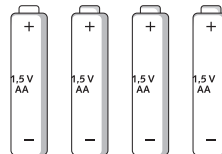


### Operating system

**Red light flashing:**  
While Service or if the battery level is critical.

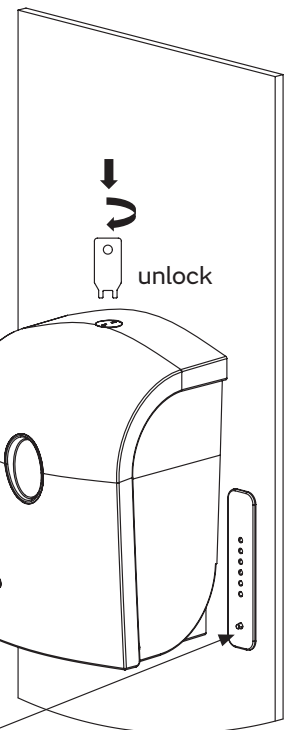
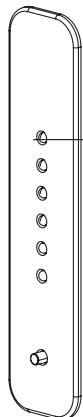
### Battery use

Only use type No.:  
**4x 1,5 V Type AA**



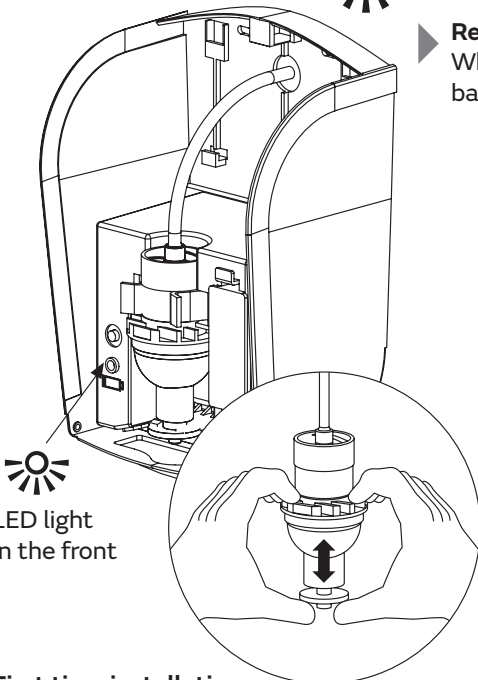
### Refill level indicator

Full canister = All LEDs permanent  
3/4 canister = 3x green, 2x red LEDs  
1/2 canister = 2x green, 2x red LEDs  
1/4 canister = 2x red LEDs  
almost empty = 1x red LED



unlock

Press button to check the remaining volume.



LED light in the front

**First time installation:**  
Manually squeeze pump, to release the liquid.