

Item No.: **331100**
331060

Manual Large Clean&Care Dispenser

Manuell Large Clean&Care Spender
Handmatig Large Clean&Care dispenser
Large distributeur manuel Clean&Care
Ręczny dozownik Large Clean&Care

Sensor Large Clean&Care Dispenser

Sensor Large Clean&Care Spender
Sensor Large Clean&Care dispenser
Large distributeur à capteur Clean&Care
Dozownik Large Clean&Care z czujnikiem

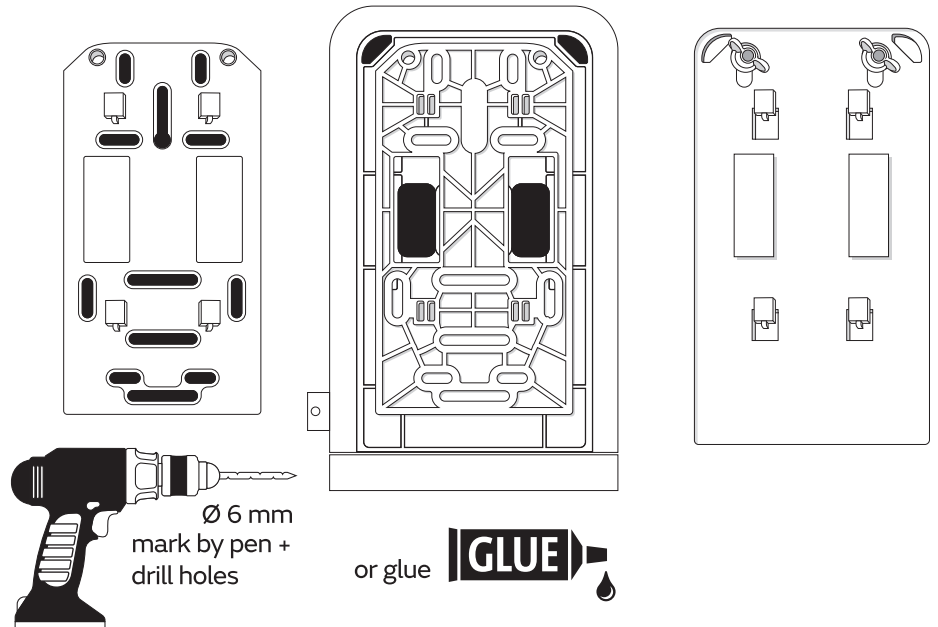
Supplied

- 4x 4x
- 6 mm 3,5 mm x 30 mm
- 2x 2x
- 1x Magic Ring

Needed tools

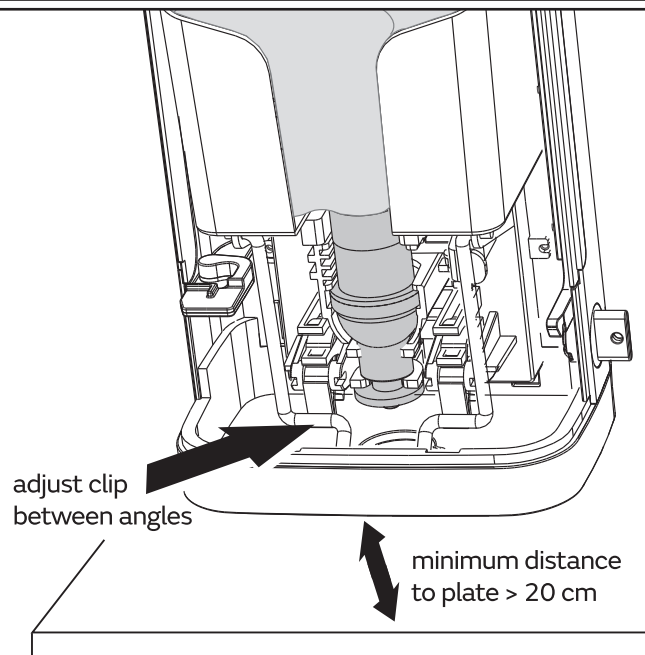
-
-
-
- Ø 6 mm
- or

Assembly plate



to exchange the bag

- liquid soap
- foam soap
- foam soap free
- disinfection liquid
- disinfection gel



Suitable for



Manual Large Clean&Care Dispenser

Sensor Large Clean&Care Dispenser

Item No.: **331100**
331060



Assembly Instructions

Sensor Large Clean&Care Dispenser

Item No.: 331060

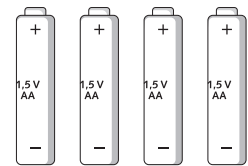


Operating state

- ▶ **Red light permanent:**
Battery charge insufficient
- ▶ **Red light flashing:**
Battery charge critical
- ▶ **Blue light:**
Cover open
- ▶ **White light:**
Dispenser active

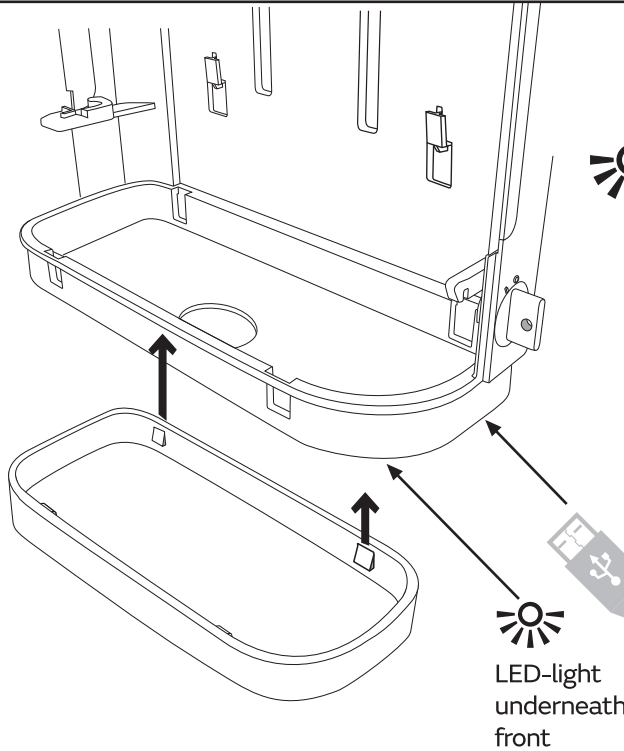
Battery use

Only use type No.:
4x 1,5 V Type AA



Optional: in Mini-USB mode

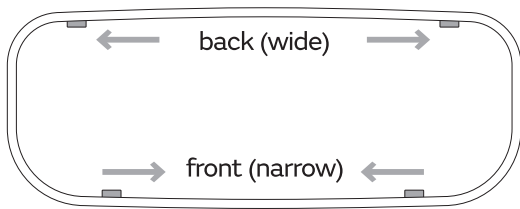
Mini-USB
5V / 1000 mA



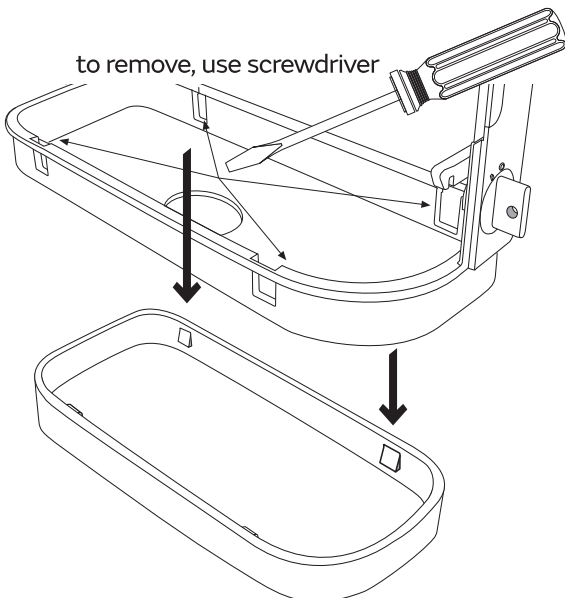
LED-light underneath front

Plug in for Mini-USB on back of dispenser

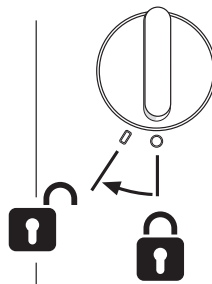
design-ring



to remove, use screwdriver



Key-Lock



Standard Lock

Permanent Key

